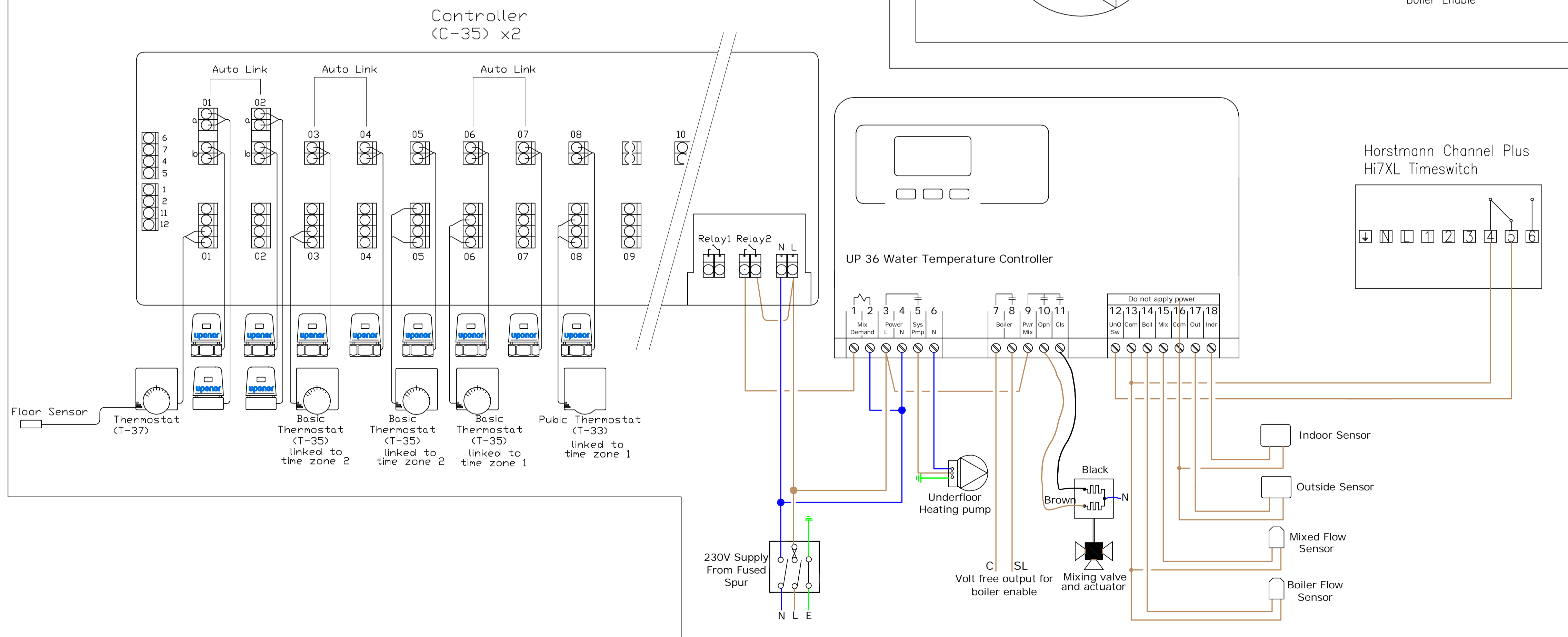


notes
 Figured dimensions only to be taken from this drawing.
 All contractors must visit the site and be responsible
 for taking and checking dimensions.

Underfloor Heating Controls

Controller (C-35) notes,
 1) Five thermostats and ten 24V actuator heads. Only 8 of the 12 channels are shown for clarity.
 2) Each thermostat requires two core cable connection to the relevant thermostat terminals. The bottom connection must be made. The second wire should be connected to one of the three remaining terminals depending on whether the Timer (I-35) is being used and if so, which of the two time channels is being used. See Fig 1.
 3) A floor sensor can be linked to either the Thermostat (T-37) or the Public Thermostat (T-33). The Basic Thermostat (T-35) can't take the additional floor sensor.
 4) When allocating thermostats to the Controller it is essential that you work from channel 1 first then work across the Controller to channel 12. If there is a channel without a thermostat or actuator attached to the channel and there are further thermostats wired to the right of the unused channel, the Controller will execute fallback Mode which periodically cycles the UFH pump and boiler. Fig 2 shows an incorrectly wired unit where thermostats and actuators are wired to channels 1 & 3 but neither are wired to channel 2.



rev	date	dsgr/cad	amendments

status **PROPOSED**



PROJECT HEATING
 UNIT 4, NORMAN COURT
 BUDLAKE ROAD, MARSHBARTON
 EXETER EX2 8PY
 TEL: (01392) 215790
 FAX: (01392) 431528

project **Church of Our Lady & St Patrick**

title **Controls Wiring Schematic**

design/drawn RJM/RJM	drawing number C6122-M-03
date JAN 2014	
scale NTS	revision suffix A1